



**Home Sewing Machine**

# PARTS REFERENCE LIST

---

**MODEL: NV1250**

**CONFIDENTIAL**

©2009 Brother Industries, Ltd.  
All rights reserved.

Published: Jul.,2009  
Revised: Jun.,2012

# MODEL LIST

Model	Countries (Added Date)
NV1250	DEU, UK, FRA, ITA, EEU, NEU, TWN, SGP, TUR (Feb / 2011)
NV1250	IND (May / 2011)



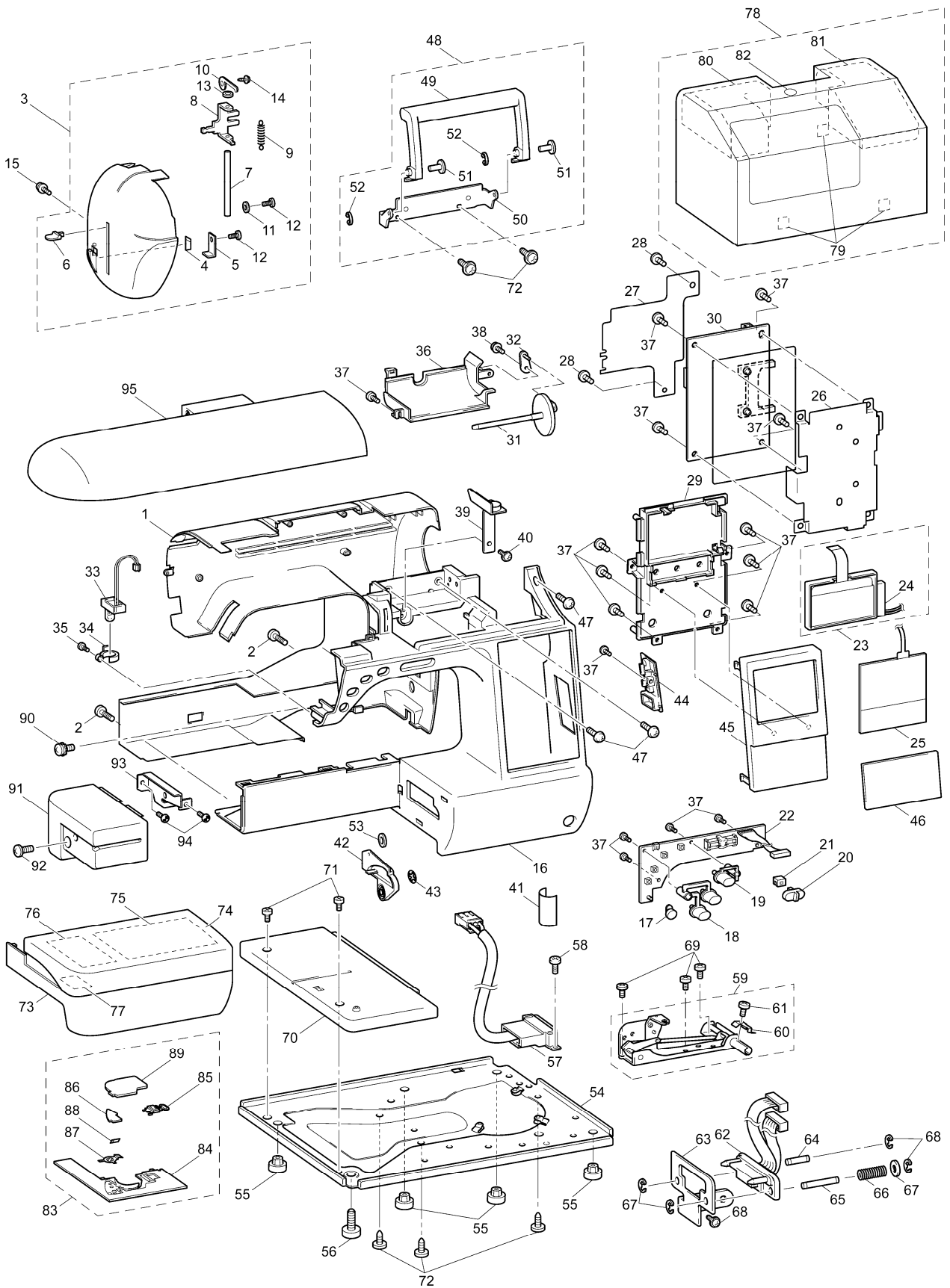
# CONTENTS

(1) MAIN FRAME / COVER .....	2
(2) UPPER SHAFT / NEEDLE BAR / PRESSER FOOT UNIT ...	6
(3) FEED / SIDE FEED / THREAD CUTTING UNIT .....	8
(4) LOWER SHAFT / BOBIN WINDING MECHANISM .....	10
(5) NEEDLE THREADING MECHANISM .....	12
(6) ELECTRIC PARTS / POWER SUPPLY / MAIN MOTOR UNIT...	14
(7) EMBROIDERY UNIT .....	16
(8) ACCESSORY PARTS / USER MANUAL / PACKAGE .....	18
NEEDLE-PRESSER MODULE.....	22
FEED MODULE .....	26
THREAD CUTTER MODULE .....	28

**Note on parts:**

We keep performance parts for this sewing machine for at least 8 years after this model is discontinued. Performance parts are the necessary parts to maintain the function of the sewing machine.

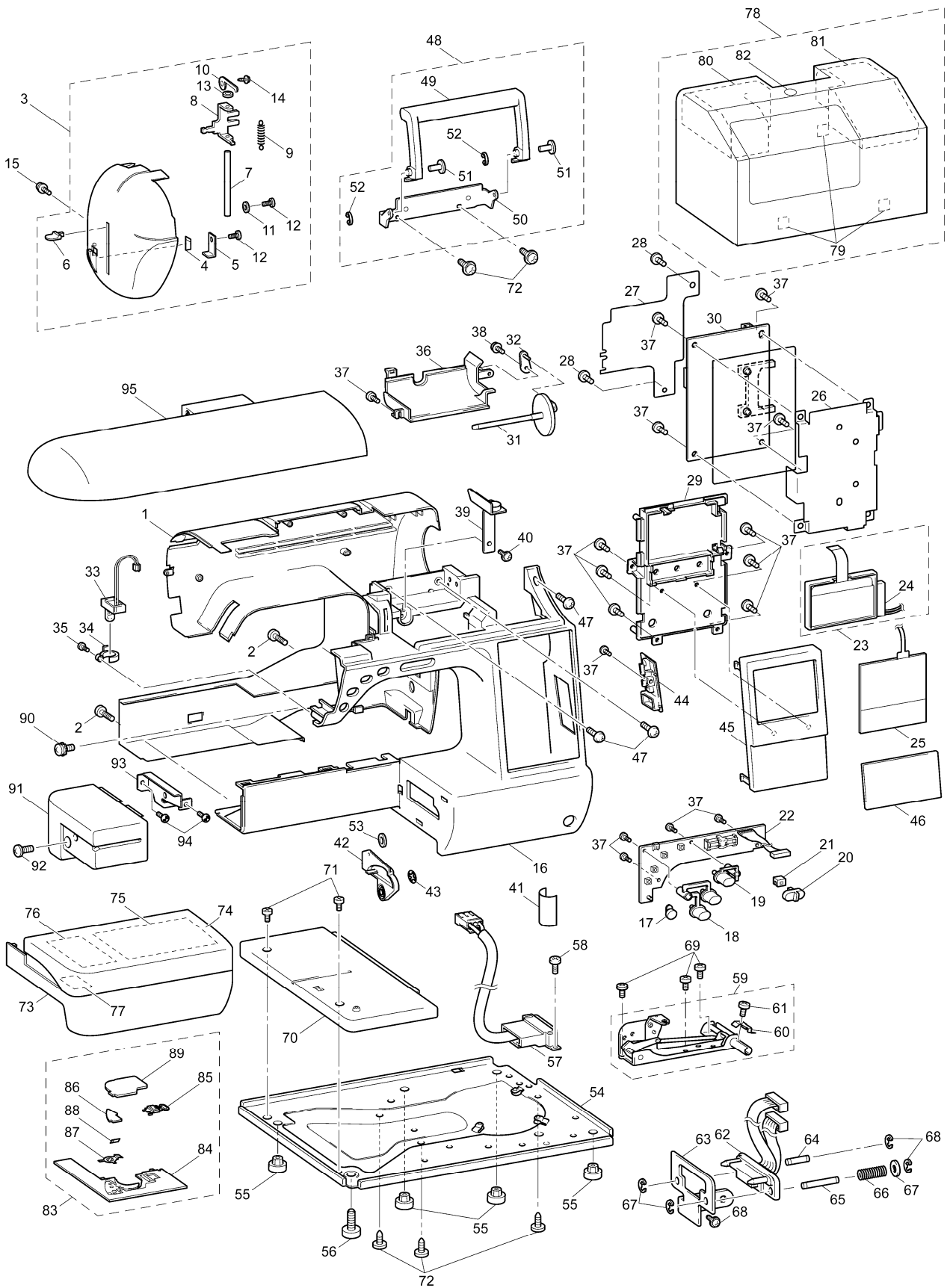
# (1) MAIN FRAME / COVER



## (1) MAIN FRAME / COVER

No.	CODE	NAME	REMARKS	No.	CODE	NAME	REMARKS
1	XD0321151	REAR COVER ASSY		45	XD0347151	INDICATION PLATE	
2	060400816	SCREW, BIND M4X8		46	XD0349166	PANEL PLATE	
3	XC9681151	FACE PLATE		47	085411416	TAPTITE, BIND B M4X14	
4	X80321021	NT LOWER THREAD CUTTER		48	XC9695151	HANDLE ASSY	
5	XC9682051	FACE PLATE CUTTER HOLDER		49	XC2348151	HANDLE	
6	XC9604051	NEEDLE THREAD LEVER KNOB		50	XC9696051	HANDLE HOLDER	
7	XA5825051	NEEDLE THREAD LEVER SHAFT		51	XC2350051	HANDLE SHAFT	
8	XC9683051	NEEDLE THREAD LEVER		52	048040346	RETAINING RING, E4	
9	138260051	THREAD THROUGH LEVER SPRING		53	137713020	POLYESTER SLIDER	
10	XZ0406050	SHAFT PRESSER PLATE		54	XC6818251	BASE PLATE	1000027025
11	XE5212001	WASHER, PLAIN		55	XA1805021	BASE RUBBER A	
12	138433021	TAPTITE, PAN B M3X6		56	XE1973001	ADJUSTING SCREW ASSY	
13	XC0508020	RUBBER WASHER		57	XC4417051	INLET ASSY: F1D-EU	
14	X59629021	TAPTITE, BIND B M3X10		58	060400616	SCREW BIND M4X6	
15	XC7568051	SCREW PAN (S/P WASHER) M4X14		59	XC4447151	KNEE LIFTER ASSEMBLY	
16	XD1253151	FRONT COVER		60	XA6215251	SPRING, PLATE	
17	XC9600152	SS-BUTTON	1000030510	61	060260316	SCREW BIND M2.6X3	
18	XC9601051	REVERSE BUTTON		62	XD0351051	LEAD WIRE ASSY MAIN BODY FCOMB	
19	XC9602051	THREAD CUT BUTTON		63	XD0890051	CONNECTOR HOLDER F-EU	
20	XC9603051	SV KEYTOP		64	XD0353051	ES PIN F-A	
21	XC2316150	SV JOINT PLATE		65	XD0945051	ES PIN F-B	
22	XF0960001	SSVR PCB ASSY NEW F	1000027084	66	XD0967051	SPRING, COMPRESSION	
23	XF2349001	LCD SUPPLY ASSY	1000028578	67	XC2514021	FEED BAR SPACER	
24	XD0334051	BACK LIGHT PCB ASSY		68	048020346	RETAINING RING E2	
25	XD0338062	ASSY: TOUCH PANEL		69	062400612	SCREW PAN M4X6	1000025473
26	XD0340051	BOARD PLATE		70	XC9589051	BASE PLATE COVER	
27	XD0331051	BOARD PLATE UPPER		71	060300516	SCREW, BIND M3X5	
28	060300516	SCREW BIND M3X5		72	X57908021	TAPTITE, BIND S M4X10	
29	XD0341051	MAIN PCB HOLDER		73	XC9606251	ACCESSORY TABLE	
30	XE6290001	MAIN PCB SUPPLY ASSY-E		74	XD0829051	ACC TABLE COVER SUPPLY ASSY	
31	XA1786053	SPOOL PIN		75	XD0528050	SPONGE A	
32	XC9690051	SPOOL PIN HOLDER ASSY		76	XD0609050	SPONGE B	
33	XE6360001	PCB UNIT: LED LAMP-FR		77	XD0610151	Q FOOT STICKER	
34	XC7081051	LAMP HOLDER SUPPORTER		78	XC9701052	CASE ASSEMBLY	
35	X57372051	TAPTITE, PAN P M2.6X8		79	125440020	CASE FELT	
36	XC9591051	THREAD BOBBIN COVER		80	XC9702050	HEAD SUPPORT SF-L	
37	136681021	TAPTITE, BIND B M3X8		81	XC9703050	HEAD SUPPORT SF-R	
38	087311015	TAPTITE, CUP B M3X10		82	XZ0161051	BLIND PLATE	
39	XC9693451	BOBBIN WINDER GUIDE ASSY		83	XD0354251	NEEDLE PLATE B ASSY	
40	XA8390021	SCREW		84	XD0355251	NEEDLE PLATE B	
41	XZ0143150	SSVR INSULATION SHEET		85	XC7371022	SLIDE BUTTON	
42	XD0345251	CONNECT COVER		86	XD1666052	CUTTER COVER	
43	138384021	RETAINING RING, CS5		87	XD1461051	NEEDLE PLATE COVER SPRING	
44	XE6312001	CARD COVER		88	X80321021	NT LOWER THREAD CUTTER	

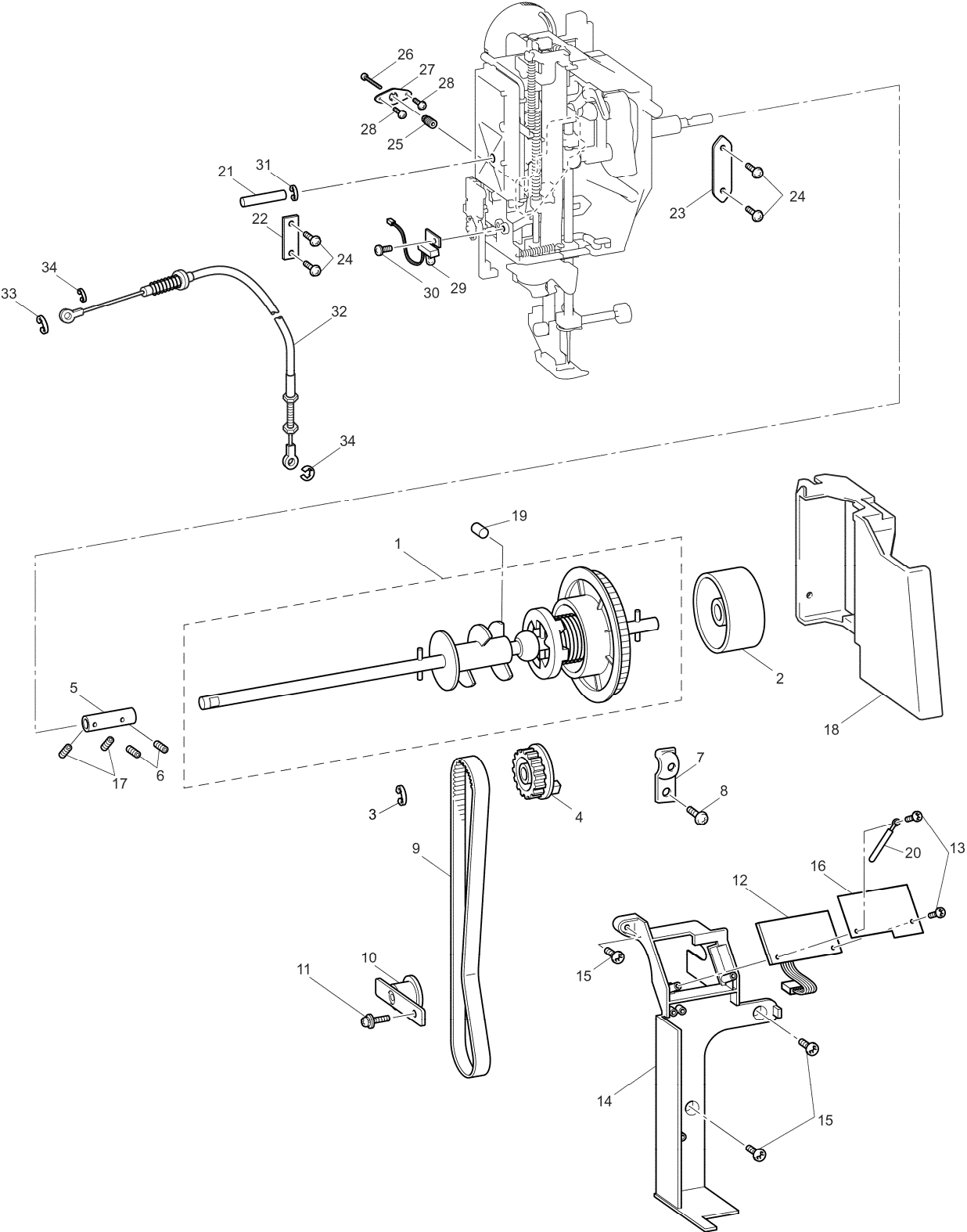
# (1) MAIN FRAME / COVER







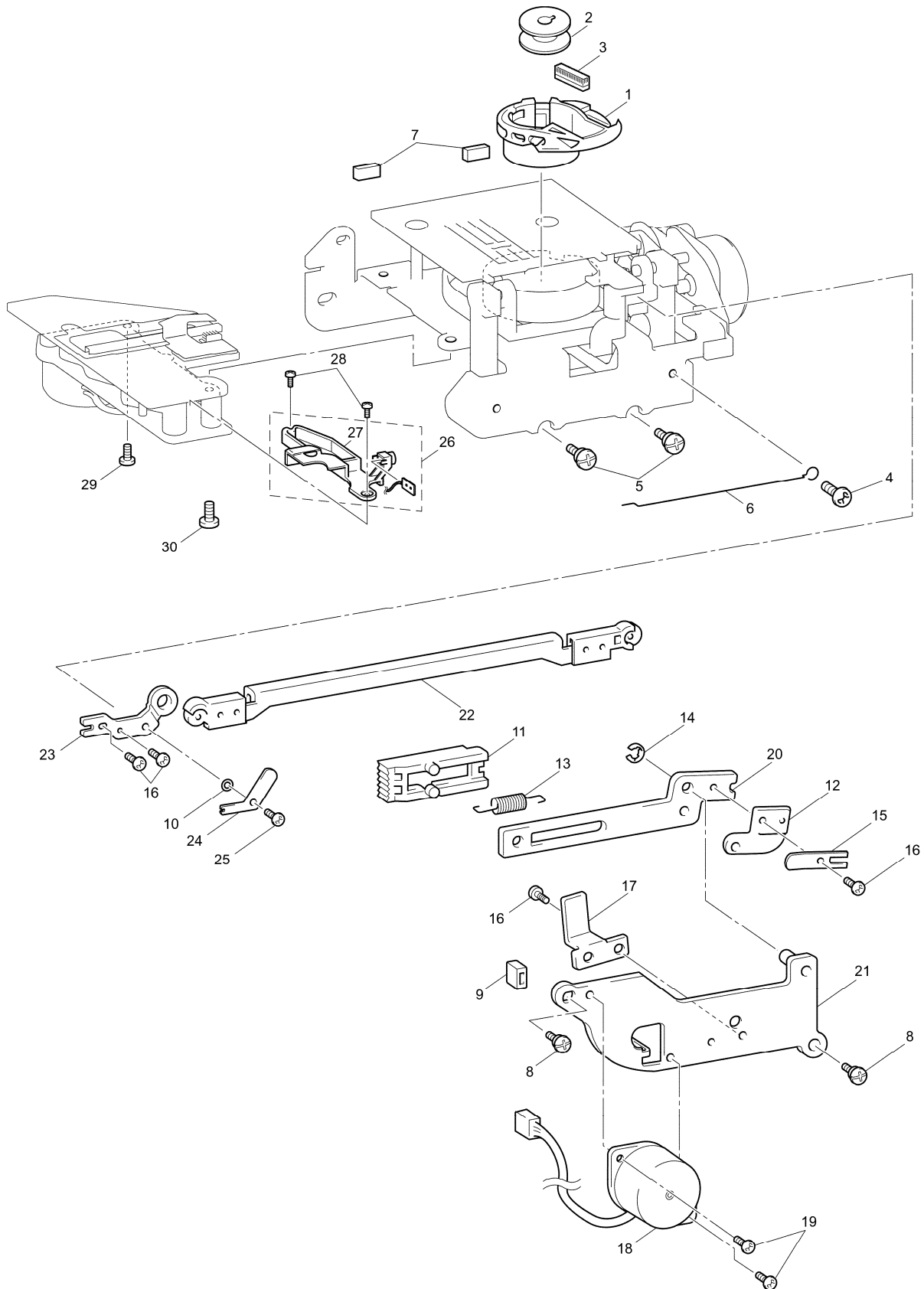
# (2) UPPER SHAFT / NEEDLE BAR / PRESSER FOOT UNIT



## (2) UPPER SHAFT / NEEDLE BAR / PRESSER FOOT UNIT

No.	CODE	NAME	REMARKS
UPPER SHAFT MECHANISM			
1	XC3246151	UPPER SHAFT ASSY	
2	XC2375051	PULLEY	
3	048060346	RETAINING RING, E6	
4	XC2380020	UPPER SHAFT PULLEY	
5	XC2383021	FIXED JOINT	
6	012500532	SET SCREW, SOCKET (FT) M5X5	
7	132421021	BUSHING PRESSER	
8	X57908021	TAPTITE, BIND S M4X10	
9	XC2384051	TIMING BELT 420-5GT-6	
10	XC2385051	TENSION PULLEY ASSEMBLY	
11	138172021	SCREW, PAN (S/P WASHER) M4X10	
12	XD0362051	NP PCB ASSY FCOM	
13	X59629021	TAPTITE, BIND B M3X10	
14	XC2390251	PCB HOLDER	
15	060400816	SCREW, BIND M4X8	
16	XC3028051	INSULATION SHEET	
17	014400432	SET SCREW, SOCKET (CP) M4X4	
18	XD0587051	BELT GUARD	
19	XC3183051	FELT	
20	137947001	CLIP	
NEEDLE BAR / PRESSER FOOT UNIT			
21	XC2503051	SHAFT	
22	XC2297051	PRESSER PLATE A	
23	XC2298051	PRESSER PLATE B	
24	X57908021	TAPTITE, BIND S M4X10	
25	XC2504050	ADJUSTING SCREW	
26	XZ0380051	SCREW, PAN (WASHER) M3X18	
27	XC2505050	PLATE SPRING	
28	060400516	SCREW, BIND M4X5	
29	XE6361001	PCB UNIT: LED LAMP-FL	
30	XZ0149021	TAPTITE, PAN B 4X12	
31	048050346	RETAINING RING, E5	
32	XC4473001	WIRE ASSY	
33	048040346	RETAINING RING E4	
34	048030346	RETAINING RING E3	

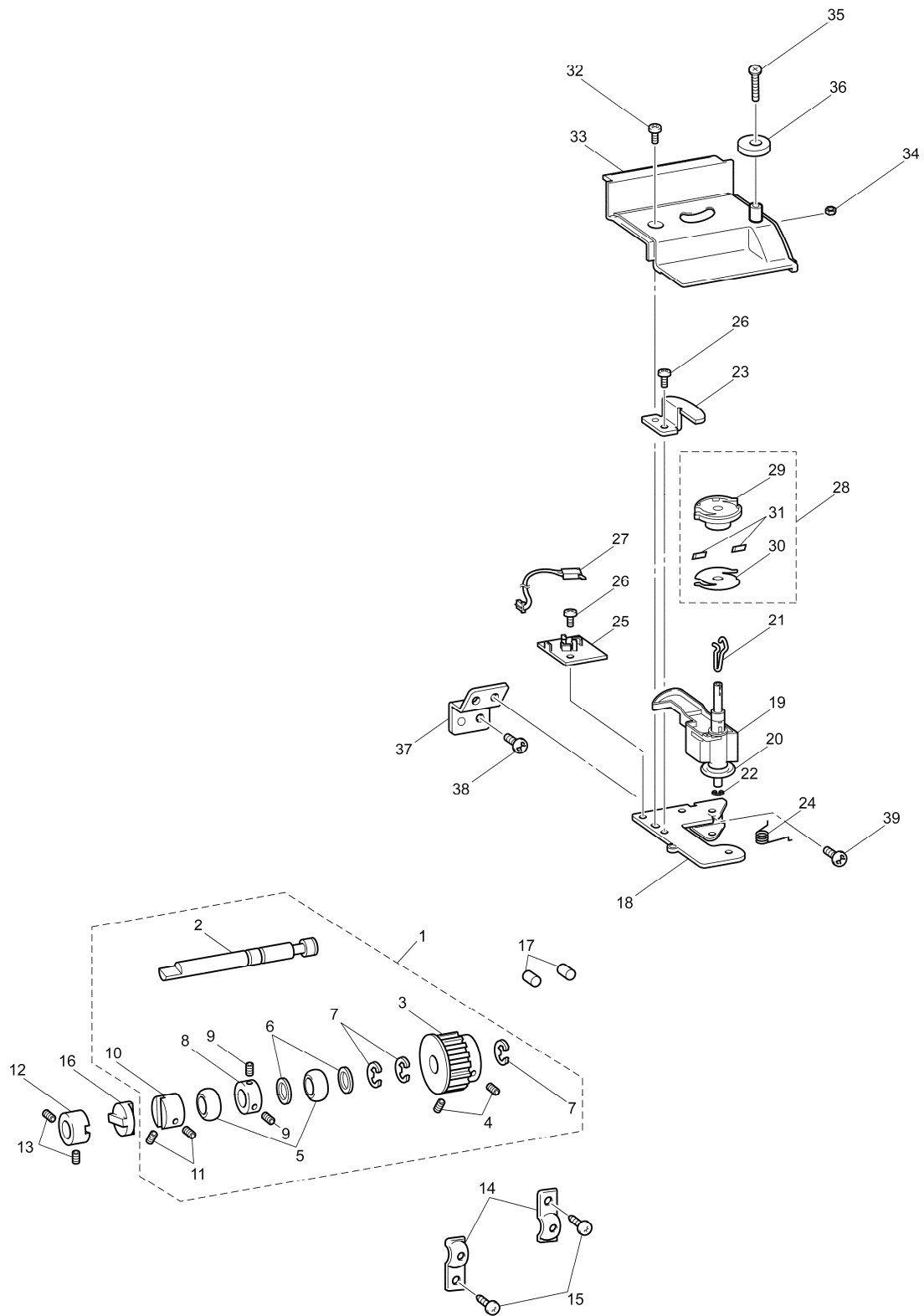
### (3) FEED / SIDE FEED / THREAD CUTTING UNIT



### (3) FEED / SIDE FEED / THREAD CUTTING UNIT

No.	CODE	NAME	REMARKS
FEED UNIT			
1	XC3153321	INNER ROTARY HOOK ASSY	
2	X52800120	BOBBIN	
3	XC3137000	PILE	
4	060300416	SCREW, BIND M3X4	
5	XC3096051	SCREW M4	
6	XZ0190051	LEADLINE GUIDE	
7	XZ0160051	SHEET	
SIDE FEED MECHANISM			
8	X57908021	TAPTITE, BIND S M4X10	
9	XA2189050	RUBBER	
10	XA2401050	WASHER	
11	XA9506051	SIDE FEED GEAR	
12	XA9507050	SIDE FEED WASHER	
13	XA9508051	SPRING, EXTENSION	
14	048030346	RETAINING RING, E3	
15	XA9514051	SPRING, PLATE A	
16	060300616	SCREW, BIND M3X6	
17	XC0411051	S STOPPER	
18	XC5340021	MOTOR, PULSE: S SMJ35-4840-E	
19	060300416	SCREW, BIND M3X4	
20	XC6258051	SIDE FEED PLATE	
21	XC8418051	SPM HOLDER ASSY	
22	XC6259051	SIDE FEED ARM ASSY	
23	XC6263051	SIDE FEED ADJUST PLATE	
24	XC6264051	SPRING, PLATE B	
25	060300516	SCREW, BIND M3X5	
THREAD CUTTING UNIT			
26	XC8329151	PHOTO TRANSISTOR ASSY	
27	XC9199051	SENSOR HOLDER	
28	0A4300605	SCREW, PAN (S/P WASHER) M3 x 6	
29	060400516	SCREW BIND M4X5	
30	060300516	SCREW BIND M3X5	

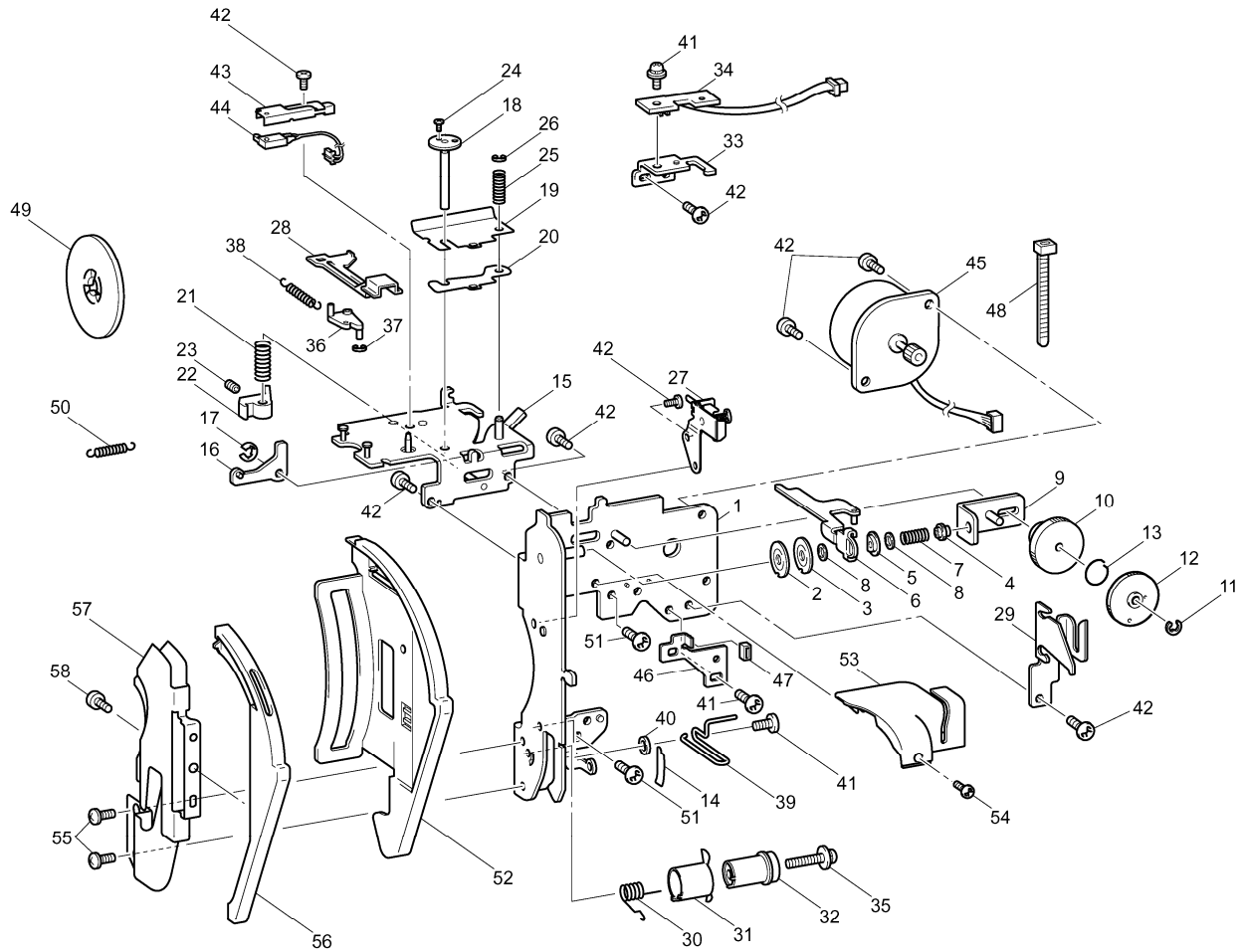
# (4) LOWER SHAFT / BOBIN WINDING MECHANISM



## (4) LOWER SHAFT / BOBIN WINDING MECHANISM

No.	CODE	NAME	REMARKS
LOWER SHAFT MECHANISM			
1	XC2599021	LOWER SHAFT A ASSY	
2	XC2600050	LOWER SHAFT A	
3	XC4943021	TIMING PULLEY D	
4	014500532	SET SCREW, SOCKET (CP) M5X5	
5	X52664020	LOWER SHAFT BUSHING	
6	X51383020	WASHER, THRUST	
7	048060346	RETAINING RING, E6	
8	137768121	SET SCREW COLLAR	
9	014400432	SET SCREW, SOCKET (CP) M4X4	
10	XC2602021	JOINT	
11	012500532	SET SCREW, SOCKET (FT) M5X5	
12	XC2602021	JOINT	
13	012500532	SET SCREW, SOCKET (FT) M5X5	
14	132421021	BUSHING PRESSER	
15	X57908021	TAPTITE, BIND S M4X10	
16	XC2603050	DISK	
17	XC3183051	FELT	
BOBIN WINDING MECHANISM			
18	XC2605051	BOBBIN WINDER ASSEMBLY HOLDER	
19	XC2606251	BW SHAFT HOLDER ASSEMBLY	
20	X55238021	RUBBER RING	
21	XZ5039001	BOBBIN WINDER SHAFT SPRING	
22	048050343	RETAINING RING, E5	
23	XA2862021	BOBBIN WINDER SHAFT STOPPER	
24	X59939021	BOBBIN WINDER SPRING	
25	XC2614021	SW ADJUST PLATE	
26	060300616	SCREW, BIND M3X6	
27	XC2612051	SW ASSY: BW-F	
28	XC4672051	BOBBIN BASE ASSY	
29	XC2616051	BOBBIN BASE	
30	XA5877021	BOBBIN THREAD CUTTER HOLDER	
31	X80321021	NT LOWER THREAD CUTTER	
32	XA8390021	SCREW	
33	XC9590051	BOBBIN WINDER COVER	
34	021300205	NUT 2 M3	
35	0A4302506	SCREW PAN (S/P WASHER) M3X25	
36	XC4517151	BOBBIN PRESSER	
37	XC2615051	BW HOLDER SUPPORTER	
38	X57908021	TAPTITE, BIND S M4X10	
39	060400816	SCREW, BIND M4X8	

# (5) NEEDLE THREADING MECHANISM

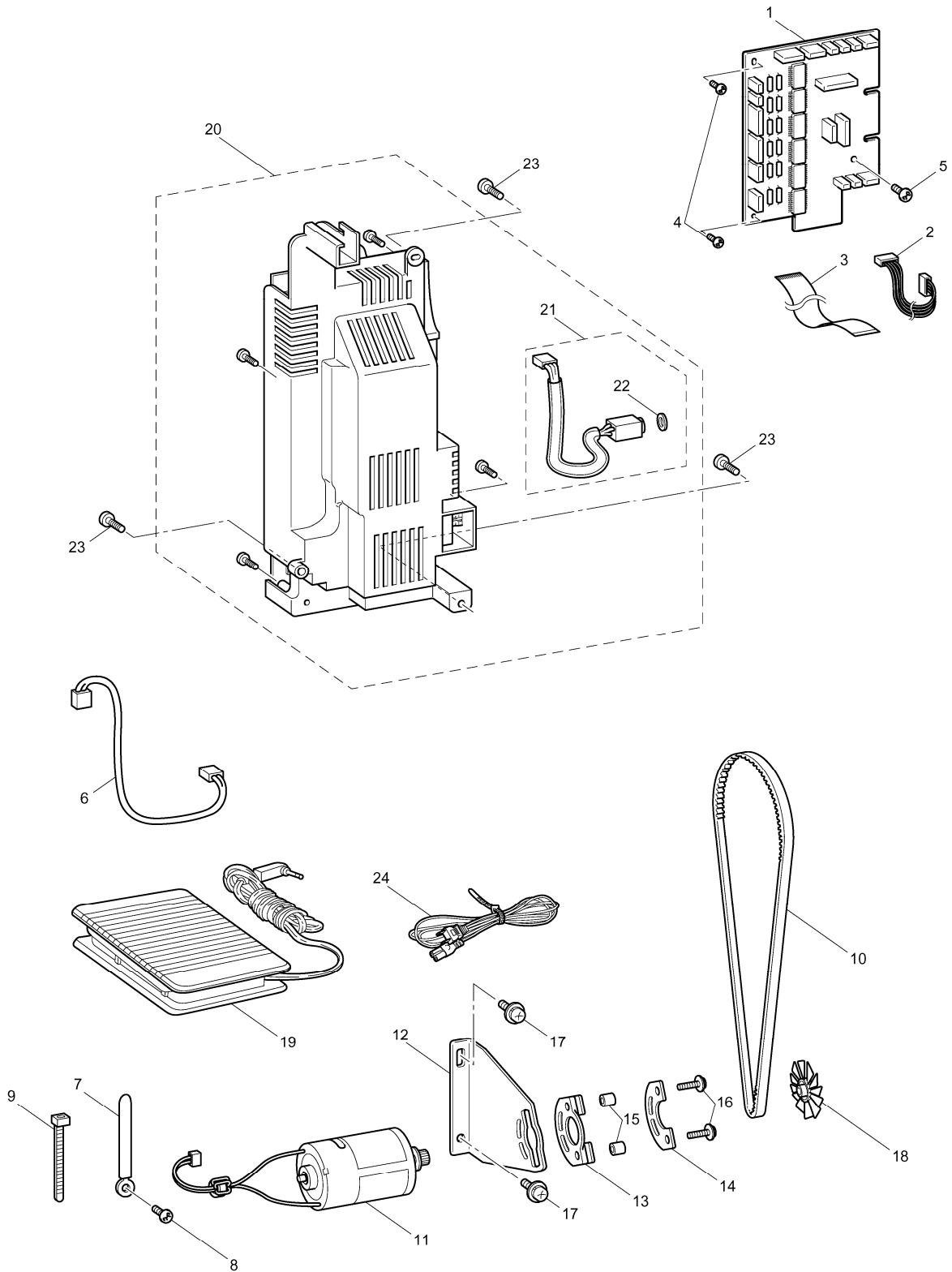


## (5) NEEDLE THREADING MECHANISM

No.	CODE	NAME	REMARKS	No.	CODE	NAME	REMARKS
1	XC2624351	THREAD GUARD ASSEMBLY		45	XC4407021	MOTOR, PULSE: AT SMJ35-4840-D	
2	XA0083121	TENSION DISC A		46	XC4484051	INITIAL ADJUSTING PLATE	
3	XC2626121	TENSION DISC B		47	XC3253051	RUBBER	
4	XC3437051	TENSION ADJUSTING SCREW		48	X53169020	BAND	
5	XA1388021	TENSION DISC WASHER		49	XE1372001	SPOOL PRESSER C	
6	XC2627051	TENSION RELEASE PLATE ASSY		50	XA9787051	SPRING	
7	XA9900051	THREAD TENSIONSPRING		51	085411016	TAPTITE, BIND B M4X10	
8	XD0573021	WASHER		52	XC9593151	THREAD GUIDE COVER	
9	XA9562051	TENSION PLATE ASSY		53	XD0386051	FRONT THREAD GUARD COVER	
10	XZ0171051	THREAD TENSIONCAM		54	060300416	SCREW, BIND M3X4	
11	048030346	RETAINING RING, E3		55	XC7564021	SCREW, PAN (S/P WASHER) M3X6	
12	XZ0170051	THREAD TENSION GEAR COVER		56	XC9594051	THREAD GUIDE COVER	
13	X56323021	SPRING		57	XC9745151	THREAD GUIDE	
14	XA9935050	SPRING TAPE		58	X59629021	TAPTITE, BIND B M3X10	
15	XC2635151	TENSION RELEASE HOLDER ASSY					
16	XA9571051	TENSION RELEASERLINK					
17	048030346	RETAINING RING, E3					
18	XC2638151	TENSION PRESSURE ASSY					
19	XA9575051	TENSION PLATE					
20	XA9576051	SPACER					
21	XA9577051	SPRING					
22	XC2640051	TENSION RELEASE CAM					
23	012300432	SET SCREW, SOCKET (FT) M3X4					
24	X57363051	POWER LOCK 2X3					
25	X57605051	SPRING					
26	048020346	RETAINING RING, E2					
27	XC2644051	PLATE ASSEMBLY					
28	XC9740051	THREAD GUIDE SHUTTER					
29	XC2749051	THREAD GUIDE					
30	XC6957121	THREAD TAKE UP SPRING					
31	XE5731001	THREAD CUTTING SHUTTER					
32	XD0377151	THREAD CATCHING SPRING CASE FE					
33	XD0379051	THREAD SENSOR HOLDER FE					
34	XD0380051	UPTHREAD PCB ASSY FCOM					
35	0A4302006	SCREW PAN (S/P WASHER) M3X20					
36	XC2649150	THREAD GUIDE SHUTTER LINK	1000025968				
37	048030346	RETAINING RING, E3					
38	XC2650151	SPRING					
39	XD0383050	THREAD GUIDE WIRE FE					
40	XA9996051	WASHER, PLAIN					
41	XC7564021	SCREW, PAN (S/P WASHER) M3X6					
42	060300416	SCREW, BIND M3X4					
43	XC2641051	PRESSER SWITCH HOLDER					
44	XC2642051	SW ASSY: PF-F					

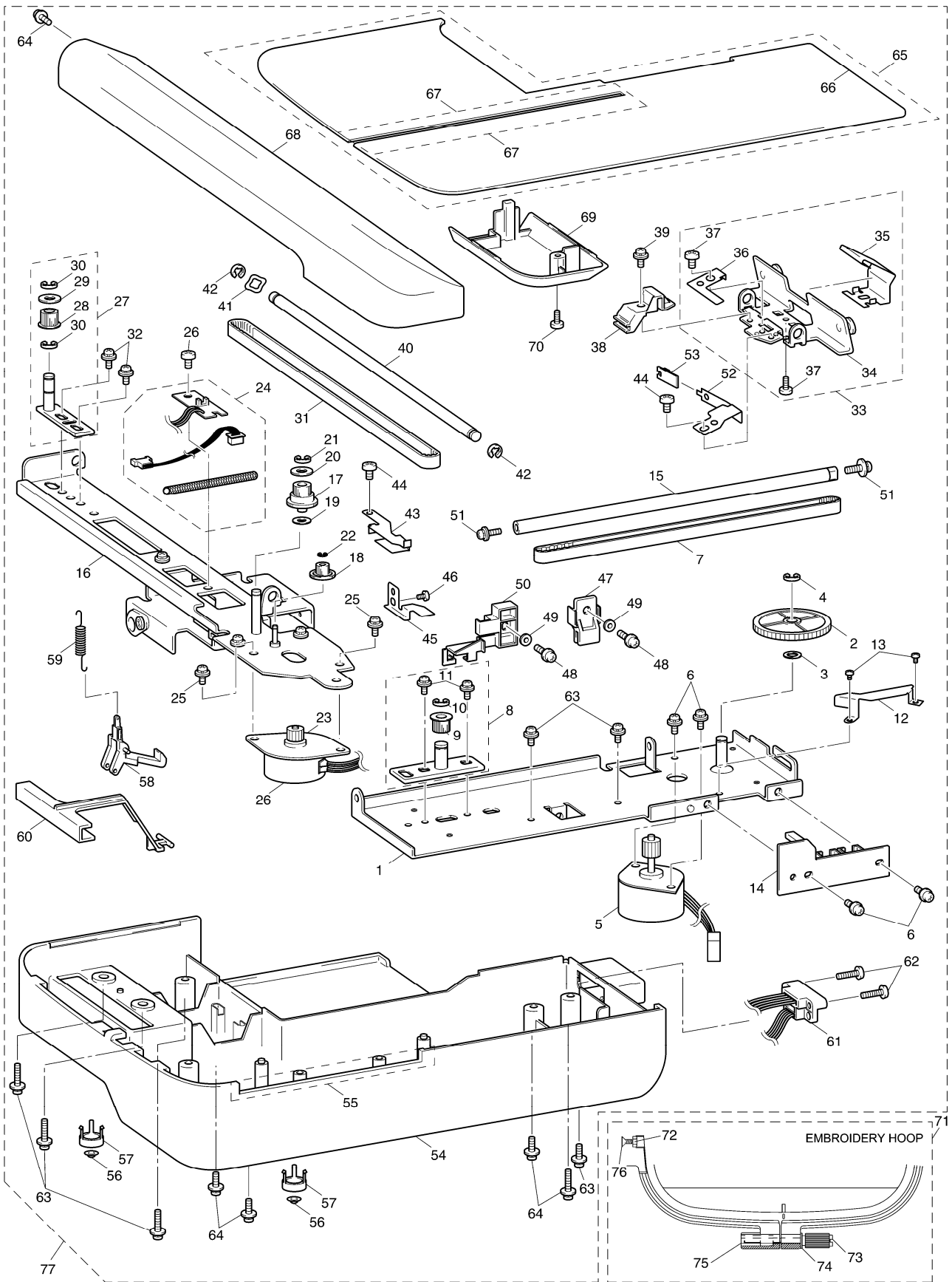


# (6) ELECTRIC PARTS / POWER SUPPLY / MAIN MOTOR UNIT





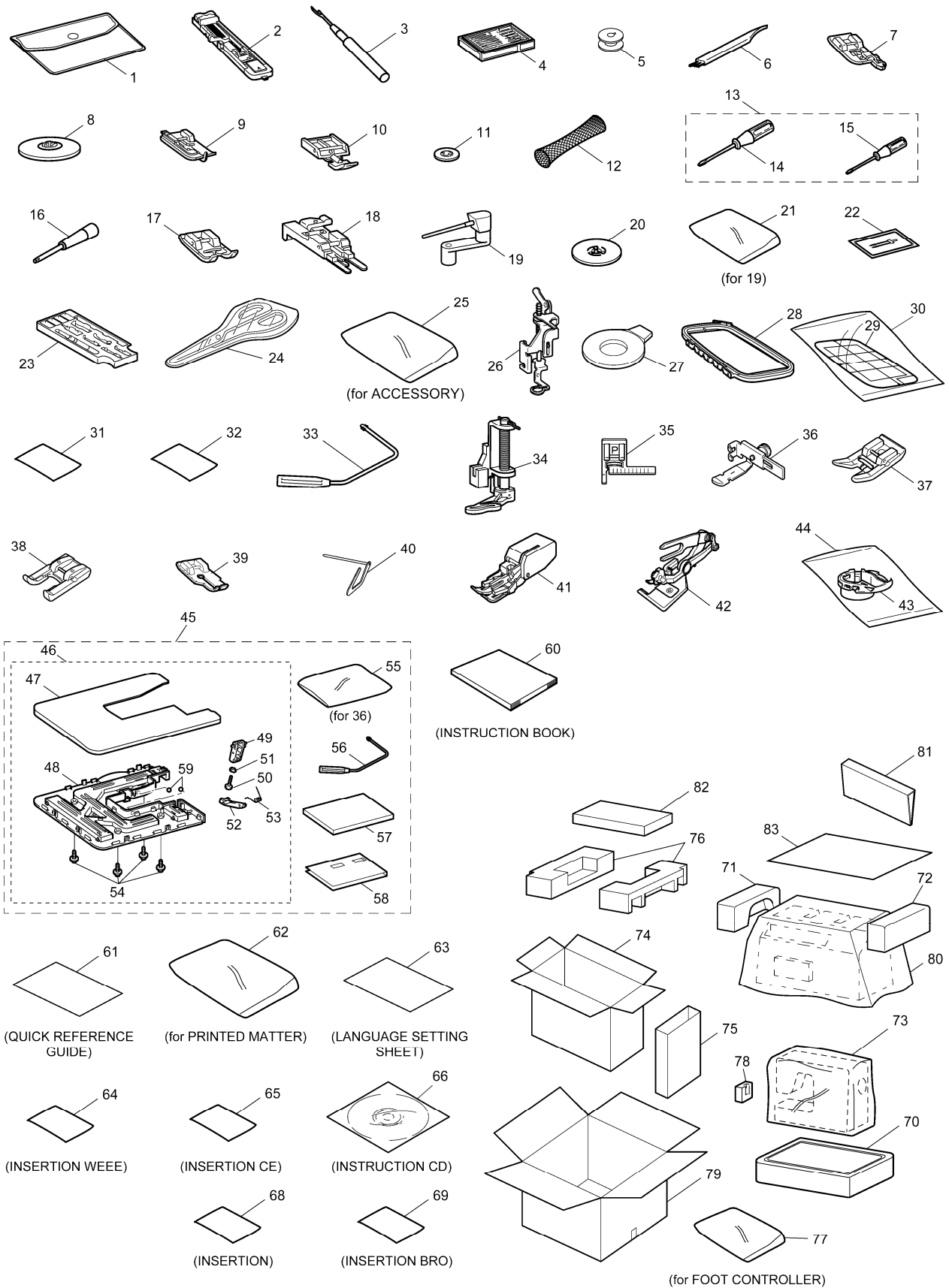
# (7) EMBROIDERY UNIT



## (7) EMBROIDERY UNIT

No.	CODE	NAME	REMARKS	No.	CODE	NAME	REMARKS
1	XD0413051	MAIN FRAME SUB ASSY		45	XD0447050	X INITIAL SHUTTER	
2	XD1350050	X DRIVING GEAR PULLEY		46	060400616	SCREW BIND M4X6	
3	XE2199001	WASHER SPRING		47	XA2144350	X BELT PRESSER	
4	048040346	RETAINING RING E4		48	XC7567051	SCREW, PAN (S/P WASHER) M4X12	
5	XD0415151	X PULSE MOTOR SMJ40-4888-B		49	027040226	WASHER EX TOOTH 4	
6	XA8390021	SCREW, PAN (S/P WASHER) M3X7		50	XD0448150	X SLIDER	
7	XA2123051	TIMING BELT 62S2M494		51	XC7566051	SCREW, PAN (S/P WASHER) M4X8	
8	XD0418051	X TENSION PULLEY ASSY		52	XD0768051	Y GUIDE SHAFT PRESSER PLATE	
9	XA2127050	TENSION PULLEY		53	XD0769050	Y GUIDE SHAFT PRESSER	
10	048040346	RETAINING RING E4		54	XD0452051	ES BASE COVER	
11	XC7566051	SCREW, PAN (S/P WASHER) M4X8		55	XD0453051	GROOVE COVER	
12	XD0421050	OIL GUARD PLATE		56	X59853020	RUBBER CUSHION	
13	060300416	SCREW BIND M3X4		57	XC8094051	RUBBER CUSHION COVER	
14	XD0422051	EMB RELAY PCB ASSY		58	XD0454051	LOCK FINGER	
15	XA2128051	X GUIDE SHAFT		59	XC8096051	SPRING	
16	XD0426151	X CARRIAGE ASSY		60	XD0455051	LOCK RELEASE LEVER	
17	XD1351050	Y DRIVING GEAR PULLEY		61	XD0456051	LEAD WIRE ASSY EMB UNIT FCOMB	
18	XD1161050	IDLE GEAR		62	085301616	TAPTITE BIND P M3X16	
19	XE2199001	WASHER SPRING		63	087411416	TAPTITE CUP B M4X14	
20	025060235	WASHER PLAIN M 6		64	XC7566051	SCREW, PAN (S/P WASHER) M4X8	
21	048040346	RETAINING RING E4		65	XD0457051	ES MAIN COVER ASSY	
22	048030346	RETAINING RING E3		66	XD0458051	ES MAIN COVER	
23	XD0432151	Y PULSE MOTOR SMJ35-4823-F		67	XD0453051	GROOVE COVER	
24	XE3234001	LEAD WIRE SUPPLY ASSY: SLEEVE		68	XD0461051	X CARRIAGE COVER	
25	XA8390021	SCREW, PAN (S/P WASHER) M3X7		69	XD0463051	YPM COVER	
26	060300416	SCREW BIND M3X4		70	085301017	TAPTITE BIND P M3X10	
27	XD0438051	Y TENSION PULLEY ASSY		71	XE4586001	EF26 985 EMBROIDERY FRAME LARG	
28	XA2127050	TENSION PULLEY		72	021300106	NUT 1 M3	
29	025060235	WASHER PLAIN M 6		73	XE4590001	THUMB SCREW	
30	048040346	RETAINING RING E4		74	X59422001	WASHER	
31	XC8041051	TIMING BELT 40S2M530		75	XA6982001	NUT	
32	XC7566051	SCREW, PAN (S/P WASHER) M4X8		76	061300606	SCREW FLAT M3X6	
33	XD0441151	Y CARRIAGE ASSY			XD0466051	ES CARTON	
34	XD0442051	Y CARRIAGE PLATE SUB ASSY			XD0468150	ES POLYSTYRENE FOAM T	
35	XD0444151	HOOP FIXED SPRING			XD0469050	ES POLYSTYRENE FOAM U	
36	XD0445050	Y INITIAL SHUTTER			X61231021	BAG 400X500H	
37	060300416	SCREW BIND M3X4			XC2208001	BAG 240X330H	
38	XA4710250	Y SLIDER			XD0464051	EMBROIDERY SHEET L ASSY F	
39	XA8390021	SCREW, PAN (S/P WASHER) M3X7		77	XE0095001	EMBROIDERY PACKING ASSY (Other, No Recycle mark)	
40	XA2139051	Y GUIDE SHAFT			XD1978151	EMBROIDERY PACKING ASSY (Europe, with Recycle mark)	
41	103810022	WASHER, WAVE SPRING					
42	048040346	RETAINING RING E4					
43	XE0391001	CORD GUIDE ASSY					
44	060300416	SCREW BIND M3X4					

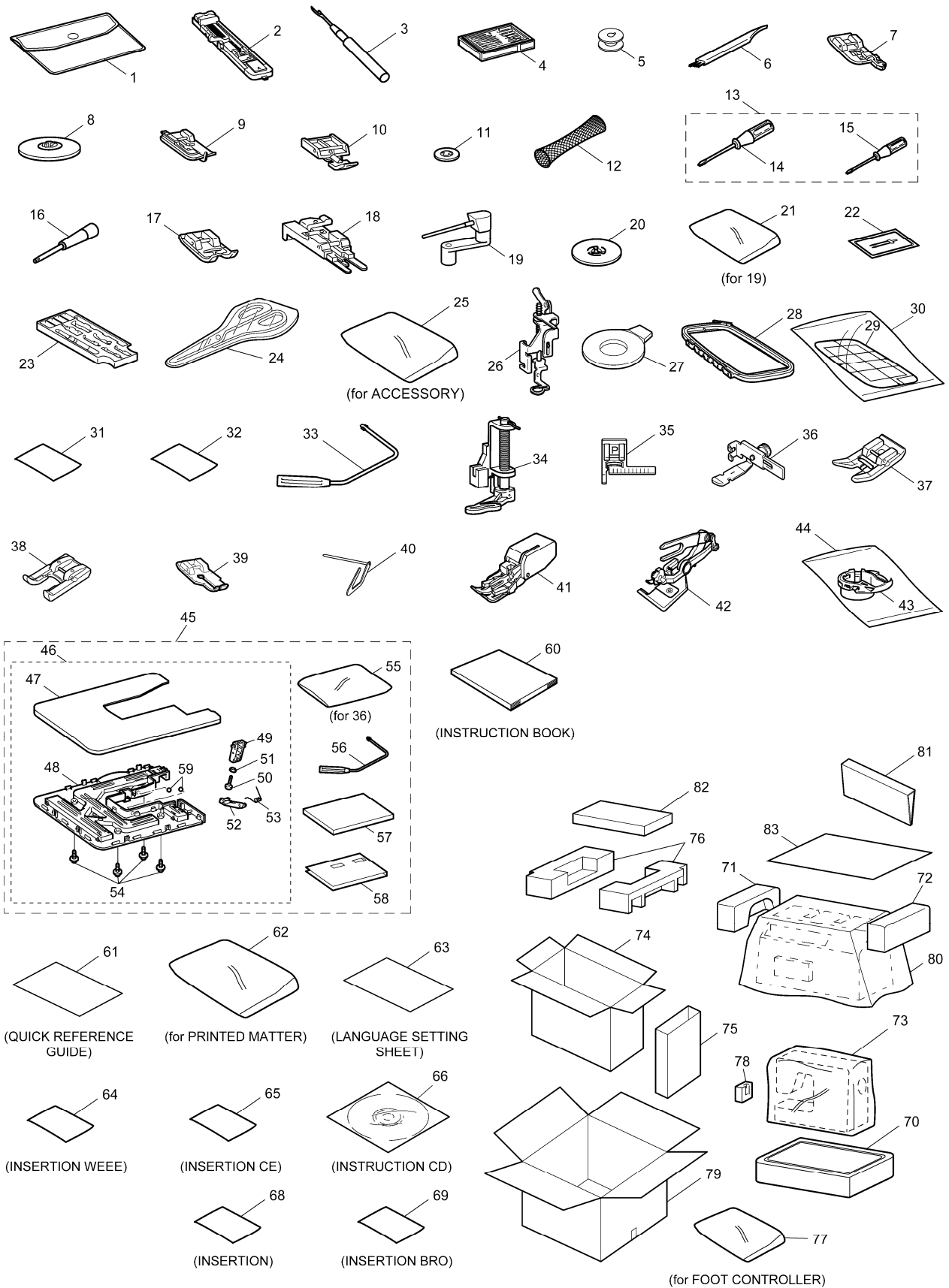
# (8) ACCESSORY PARTS / USER MANUAL / PACKAGE



## (8) ACCESSORY PARTS / USER MANUAL / PACKAGE

No.	CODE	NAME	REMARKS	No.	CODE	NAME	REMARKS
ACCESSORY PARTS							
1	XC4487021	ACCESSORY BAG		42	XC3198101	SIDE CUTTER ASSY	
2	XC2691023	BH PRESSER FOOT ASSY		43	XC8167551	INNER ROTARY HOOK ASSY	
3	XZ5082001	SEAM RIPPER		44	XC6909050	PE BAG 90X100	
4	X58358021	Z NEEDLE ASSY		45	XD1103151	TABLE LEVER ASSY (TWN)	1000026517
5	X52800120	BOBBIN		46	XD0057351	WIDE TABLE ASSY NEWF (TWN)	1000026517
6	X59476021	CLEANING BRUSH		47	XD0053151	TABLE UPPER (TWN)	
7	XE6305101	OVERCASTING STITCH FOOT ASSY		48	XC4493121	TABLE LOWER (TWN)	1000026517
8	130012024	SPOOL PRESSER A		49	XC4495051	TABLE FOOT (TWN)	
9	XE2650001	BLIND STITCH FOOT ASSY		50	XD1223021	ADJUSTING FOOT (TWN)	
10	X59370021	ZIPPER FOOT		51	021400206	NUT 2 M4 (TWN)	
11	130013124	SPOOL PRESSER B		52	XC4497151	LOCK LEVER (TWN)	
12	XA5523020	NET		53	XE3127001	LOCK SPRING (TWN)	
13	XE0243001	SCREW DRIVER ASSY		54	087411416	TAPTITE CUP B M4X14 (TWN)	
14	XC8349021	SCREW DRIVER		55	X61231051	BAG, 400X500H (TWN)	
15	X55468021	SCREW DRIVER S		56	XA6941052	KNEE LIFTER LEVER ASSY (TWN)	
16	XZ5051001	PUNCH		57	XC4509051	TABLE CARTON (TWN)	
17	XD0810031	TRANSPARENCY PRESSER FOOT		58	XC4512050	PAD (TWN)	
18	XE2643001	BUTTONING FOOT ASSY		59	XA6069050	CUSHION RUBBER	1000026517
19	XC4654151	EXTRA SPOOL PIN ASSY	1000028084	USER MANUAL / OTHER PARTS			
20	XE1372001	SPOOL PRESSER C		60	<del>XE6584101</del>	INSTRUCTION BOOK ENG (English)	1000031310
21	X57367021	BAG, 135X150			<del>XE6410101</del>	INSTRUCTION BOOK GER (German)	1000031310
22	X59296121	TWIN NEEDLE (1PC)			XE6586001	INSTRUCTION BOOK FRE (French)	
23	XC4489051	ACCESSORY TRAY			XE6591001	INSTRUCTION BOOK DUT (Dutch)	
24	XC1807121	SCISSORS			<del>XE6588101</del>	INSTRUCTION BOOK ITA (Italian)	1000031310
25	XA0188020	BAG 260X375HC			XE8336001	INSTRUCTION BOOK TC (TWN: Chinese)	
26	XD0474151	EMBROIDERY PRESSER ASSEMBLY		61	XD1237221	QUICK REFERENCE GUIDE	1000029142
27	XC1074051	DISC-SHAPED SCREWDRIVER		62	130800021	BAG 230X310H	
28	XF2767001	EMBROIDERY HOOP LL ASSY (EXCEPT: TWN)	1000030175	63	XD1238051	LANGUAGE SETTING SHEET (DEU, UK, FRA, ITA, EEU, NEU)	
29	XD0661051	EMBROIDERY SHEET LL ASSY F (EXCEPT: TWN)		64	XF0300001	INSERTION WEEE	1000024951
30	XA5918051	BAG 170X440 (EXCEPT: TWN)		65	XE8862201	INSERTION CE (SGP, TUR)	
31	XD0611051	MANUAL (EXCEPT: TWN)		66	<del>XE6593101</del>	INSTRUCTION CD (NEU)	1000031310
32	XC9183151	MANUAL (EXCEPT: TWN)		67	<del>XE8541004</del>	<del>INSERTION (for INNER ROTARY HOOK &amp; INNER ROTARY HOOKBRACKET)</del>	1000031310
33	XA6941052	KNEE LIFTER LEVER ASSY		68	XE8338001	INSERTION (TWN)	
34	XE8786101	QUILTING FOOT	1000024883		XE9391001	INSERTION (TUR, IND)	
35	X51804001	STITCH FOOT			XF0329001	INSERTION	1000024971
36	103561002	ZIPPER FOOT			XF0269001	INSERTION	1000024971
37	XA4783001	NO STICK FOOT H		69	XE8718001	INSERTION BRO (EEU, NEU)	
38	XE1105101	APPLIQUE FOOT ASSY			XE8719001	INSERTION BRO (TWN)	
39	XA3805021	1/4"QUILTING FOOT			XE8716001	INSERTION BRO (OTHER)	
40	X59819021	QUILTER					
41	XE1678201	WALKING FOOT ASSY H 7MM					

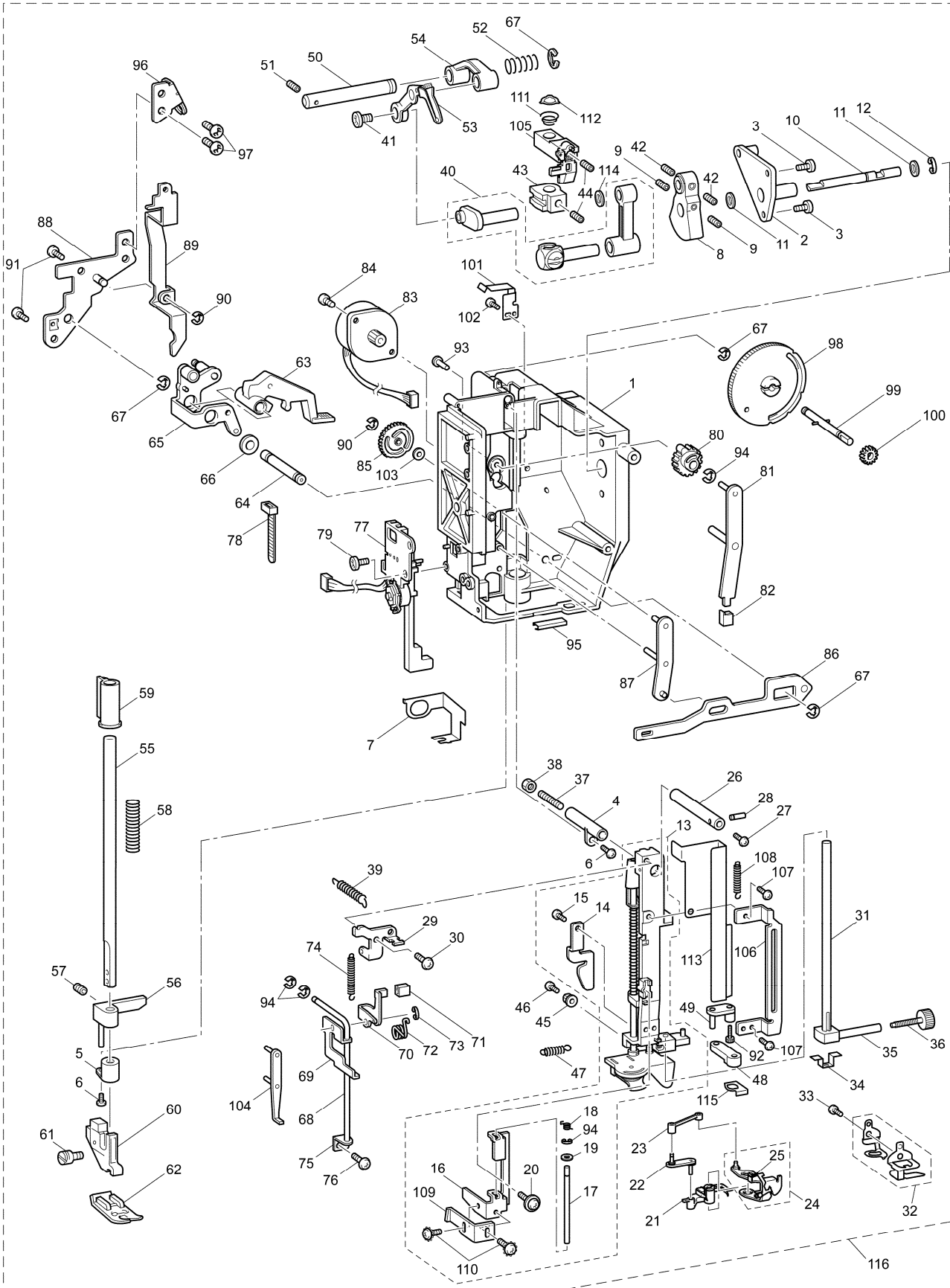
# (8) ACCESSORY PARTS / USER MANUAL / PACKAGE







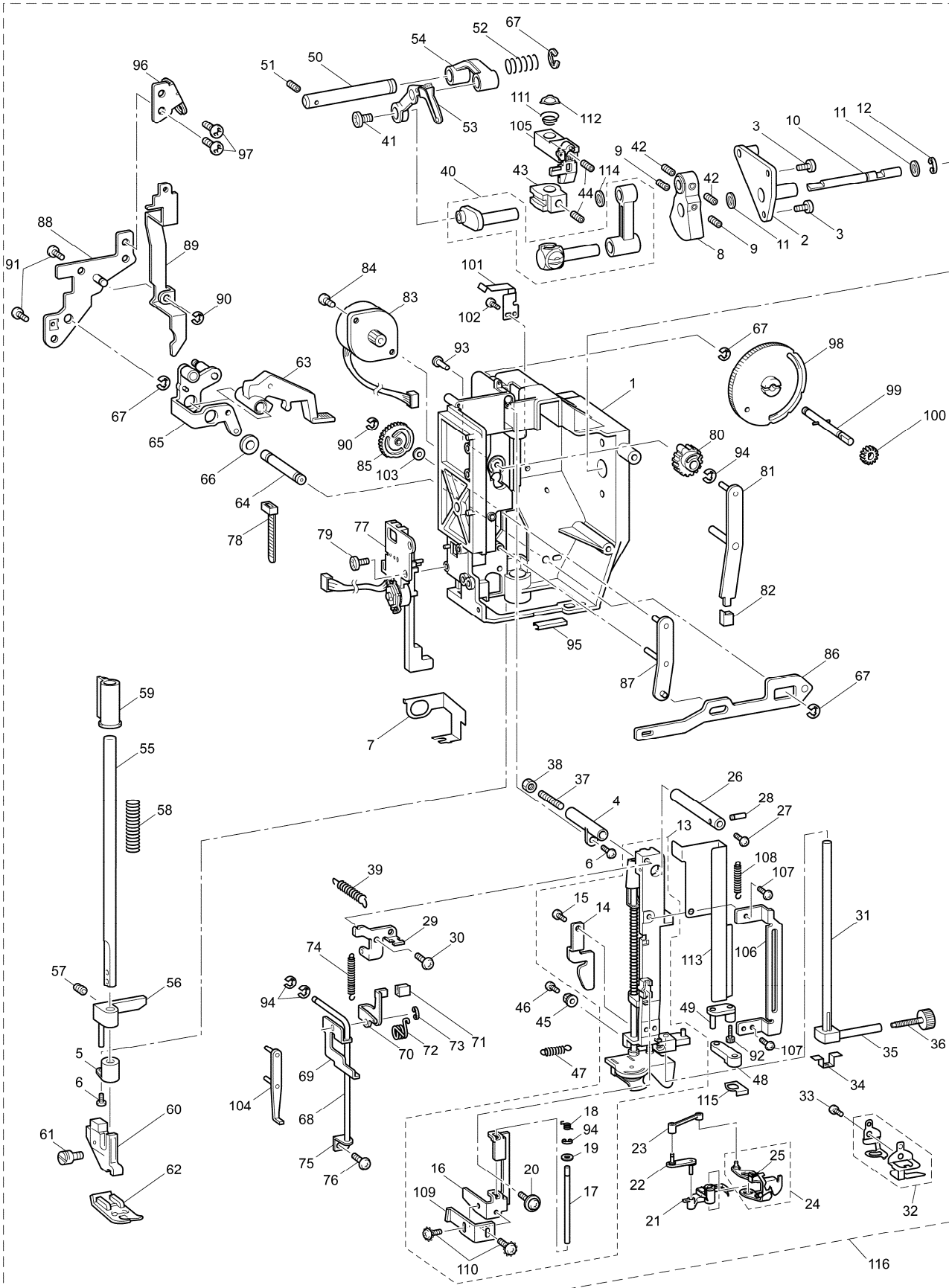
# NEEDLE-PRESSER MODULE



## NEEDLE-PRESSER MODULE

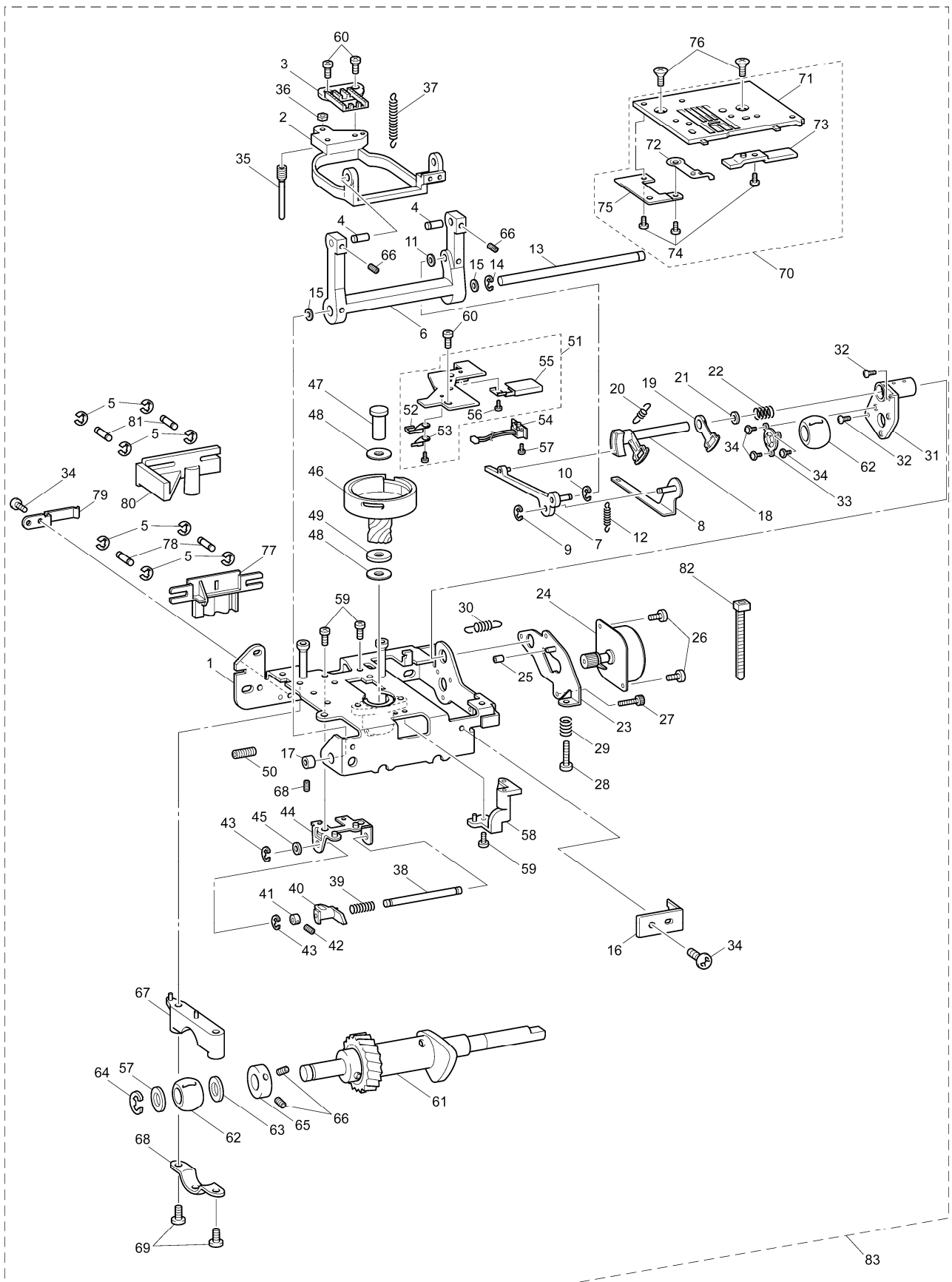
No.	CODE	NAME	REMARKS	No.	CODE	NAME	REMARKS
1	XE0017101	UPPER UNIT HOLDER		45	XC2435020	ZIGZAG ADJUSTING NUT	
2	XC2395221	SHAFT BUSHING ASSEMBLY		46	018301032	BOLT, SOCKET M3X10	
3	0A5401405	SCREW, PAN (S/P WASHER) M4X14		47	XC2748021	SPRING-Z	
4	XC2398020	SHAFT BUSHING A		48	XC2436021	NEEDLE HOLDER BROCK	
5	XC2399021	PRESSER BAR BUSHING		49	XC2437021	SHAFT ASSY	
6	085310815	TAPTITE, BIND B M3X8		50	XC2440021	SHAFT	
7	XC5362020	PLATE SPRING		51	014300532	SET SCREW, SOCKET (CP) M3X5	
8	XC2400021	THREAD TAKE-UP COUNTER WEIGHT		52	XC2441021	SPRING	
9	012500532	SET SCREW, SOCKET (FT) M5X5		53	XF3584001	THREAD TAKE-UP LEVER ASSY	1000030096
10	XC2401021	UNIT SHAFT		54	XC2443020	THREAD TAKE-UP LEVER LINK	
11	132434020	WASHER		55	XC2444021	PRESSER BAR	
12	048060346	RETAINING RING, E6		56	XC2445021	PRESSER BAR CLAMP ASSY	
13	XD1230151	NEEDLE BAR SUPPORTER ASSY		57	014501032	SET SCREW, SOCKET (CP) M5X10	
14	XC9908150	HOOK RELEASE PLATE		58	XC4457051	SPRING	
15	060260516	SCREW, BIND M2.6X5		59	XC4458050	PRESSER SPRING SUPPORTER	
16	XC3446051	RELEASE LEVER		60	XE2555101	PRESSER FOOT HOLDER ASSY	
17	XC3447051	RELEASE LEVER SHAFT		61	132730122	TIGHTENING SCREW 3.57	
18	XC3448051	RELEASE LEVER SPRING		62	XZ5134001	Z FOOT	1000031626
19	137977050	POLYESTER SLIDER		63	XC9725051	PRESSER FOOT LIFTER	
20	0A2300606	SCREW PAN (P WASHER) M3X6		64	XC4459051	PRESSER LIFT SHAFT	
21	XD1550351	THREADER HOOK ASSY	1000028587	65	XC4460051	LIFTER ASSY	
22	XD1546051	LINK A ASSY		66	XA1860120	WASHER	
23	XD1548151	LINK B		67	048040346	RETAINING RING, E4	
24	XC9613121	THREAD GUIDE ASSY		68	XC2453021	LEVER GUIDE SHAFT	
25	XC9616051	SPRING		69	XC2455021	LEVER A ASSY	
26	XC2419021	SHAFT		70	XC2458021	LEVER B	
27	000020416	SCREW BIND M2X4		71	XC2459020	CAP	
28	XC2420020	SHAFT		72	XC2460021	TORSION SPRING	
29	XD1488051	PLATE		73	048030343	RETAINING RING, E3	
30	060300516	SCREW, BIND M3X5		74	XC2461021	SPRING	
31	XC2423021	NEEDLE BAR		75	XC2462021	LEVER PRESSER PLATE	
32	XE7727201	N/B THREAD GUIDE SUPPLY ASSY	1000027848	76	138433021	TAPTITE, PAN B M3X6	
33	X53053052	SCREW SM2.38		77	XC2463221	BH SWITCH ASSY	1000031599
34	XC2426020	NEEDLE THREAD PLATE		78	X53169020	BAND	
35	XC2427051	NEEDLE BLOCK		79	XZ0149021	TAPTITE, PAN B 4X12	
36	XZ0388251	NEEDLE CLAMP SCREW		80	XC2474020	Z ZIGZAG CAM	
37	014401232	SET SCREW, SOCKET (FT) M4X12		81	XC2476021	Z ZIGZAG LEVER ASSY	
38	X56851021	LOCK NUT		82	XC2480020	Z LEVER CUP	
39	XC2429021	SPRING		83	XC2481021	MOTOR, PULSE: Z SMJ35-4840-A	
40	XF1089001	NEEDLE BAR CRANK R SUPPLY ASSY	1000026452	84	X59629021	TAPTITE, BIND B M3X10	
41	132051022	SCREW, FLAT SM3.57-40X7 L		85	XC2483020	T CAM	
42	012500532	SET SCREW, SOCKET (FT) M5X5		86	XC2491121	THREAD RELEASER ASSY	
43	XC2434021	NEEDLE THREAD BLOCK		87	XC2494021	THREAD RELEASE LEVER ASSY	
44	012400432	SET SCREW, SOCKET (FT) M4X4		88	XC4465051	ADJUSTING PLATE ASSY	

# NEEDLE-PRESSER MODULE





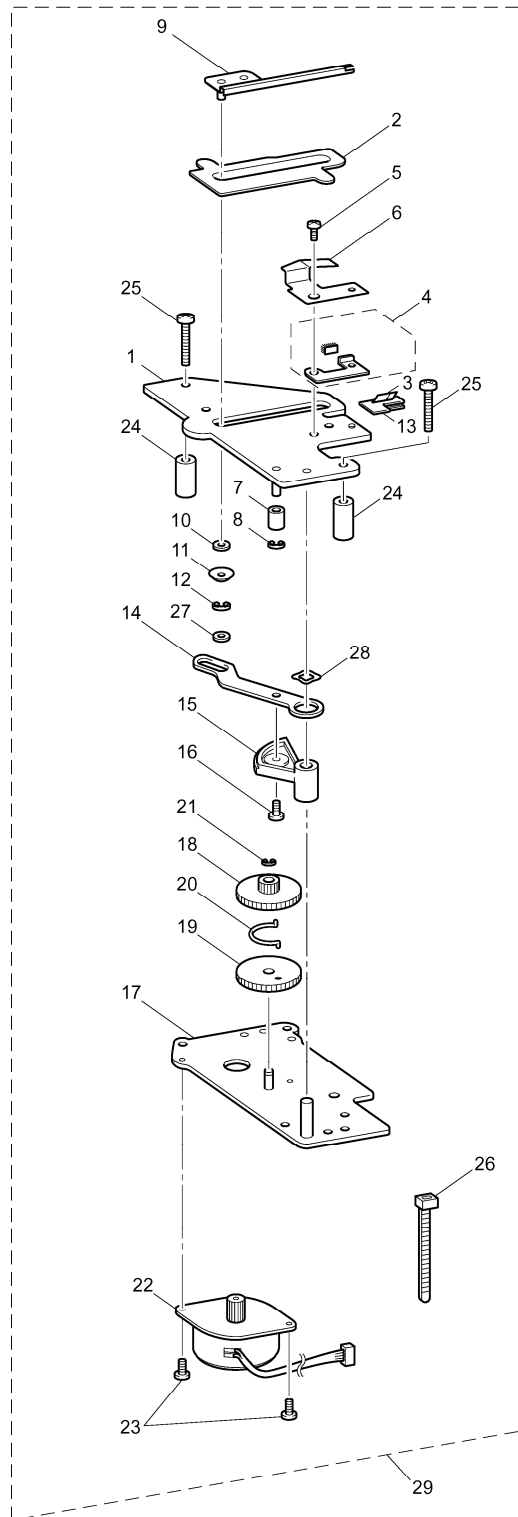
# FEED MODULE



## FEED MODULE

No.	CODE	NAME	REMARKS	No.	CODE	NAME	REMARKS
1	XC7638121	BASE PLATE		45	137713020	POLYESTER SLIDER	
2	XC2510021	FEED BAR		46	XC2210021	OUTER ROTARY HOOK ASSY	
3	XE7489001	FEED DOG		47	XD1943021	OUTER ROTARY HOOK SHAFT	
4	XC2512021	FEED BAR SHAFT A		48	137805022	SPACER	
5	048020346	RETAINING RING, E2		49	137976021	WASHER 6	
6	XC8337021	FEED ARM A		50	014400632	SET SCREW, SOCKET (CP) M4X6	
7	XC2517021	FEED ARM B ASSY		51	XC8406351	INNER ROTARY HOOK BRACKET ASSY	
8	XC2521021	FEED SUPPORTING PLATE ASSY		52	XE3331001	SPRING PLATE	
9	048020346	RETAINING RING, E2		53	XC2558050	SPRING ASSIST PLATE	
10	048030346	RETAINING RING, E3		54	XC8350021	PHOTO DIODE HOLDER ASSY	
11	137999020	POLYESTER SLIDER		55	XC7866351	CORD HOLDER	
12	XZ0174021	SPRING		56	060260316	SCREW BIND M2.6X3	
13	XC7835051	HORIZONTAL FEED SHAFT		57	000020416	SCREW BIND M2X4	
14	048050346	RETAINING RING, E5		58	XC2559221	STOPPER PLATE BLOCK ASSY	
15	X50546020	WASHER, THRUST		59	060400516	SCREW, BIND M4X5	
16	XC8195051	SHAFT STOPPER PLATE		60	060300816	SCREW, BIND M3X8	
17	130676121	SET SCREW COLLAR		61	XC2562121	LOWER SHAFT B ASSY	
18	XC2527121	FEED ADJUSTER		62	X52664020	LOWER SHAFT BUSHING	
19	XC2529020	F GEAR		63	X51383020	WASHER, THRUST	
20	XC2530021	SPRING		64	048060346	RETAINING RING, E6	
21	137713020	POLYESTER SLIDER		65	137768121	SET SCREW COLLAR	
22	XC2531021	SPRING		66	014400432	SET SCREW, SOCKET (CP) M4X4	
23	XC2532021	FPM HOLDER ASSY		67	XC2566021	BUSHING SUPPORTER A	
24	XC2534021	MOTOR, PULSE: F SMJ35-4840-C		68	XC2567021	BUSHING PRESSER A	
25	XC2587020	RUBBER		69	060401616	SCREW, BIND M4X16	
26	060300516	SCREW, BIND M3X5		70	XC9727251	NEEDLE PLATE A ASSY	1000029406
27	XC3338021	SCREW3X8		71	XC7872151	NEEDLE PLATE A	
28	018402533	BOLT, SOCKET M4X25		72	XF2440001	STOPPER PLATE	1000030484
29	XC2537021	SPRING		73	XC2571121	F GEAR STOPPER PLATE	
30	XC2538021	SPRING		74	060260316	SCREW, BIND M2.6X3	
31	XC2539021	BUSHING SUPPORTER ASSY		75	XE1488001	NEEDLE PLATE B SUPPORT PLATE	
32	060400616	SCREW, BIND M4X6		76	X50487021	SCREW M4	
33	XC2542021	BUSHING PRESSER B		77	XC2572021	DROP KNOB	
34	060300516	SCREW, BIND M3X5		78	XC2573051	SLIDE SHAFT B	
35	XC3941021	VERTICAL ADJUSTER SCREW ASSY		79	XC2574021	SPRING PLATE	
36	XC2546021	M5 NUT		80	XD0372051	DROP LEVER FE	
37	XC2547021	SPRING		81	XC3587021	SLIDE SHAFT A	
38	XC8361021	VERTICAL FEED SHAFT		82	X53169020	BAND	
39	XC2550021	SPRING					
40	XC2551020	VERTICAL LEVER		83	XD0972352	FEED SUPPLY UNIT ASSY U11	1000029406
41	XC2552021	SET SCREW COLLAR					
42	014400432	SET SCREW, SOCKET (CP) M4X4					
43	048030346	RETAINING RING, E3					
44	XC7801021	VERTICAL SUPPORTING PLATE					

# THREAD CUTTER MODULE







**brother**®

04G09HF885U02